

Clean-Room-Divider



Do you need quick and easy subdivisions in your offices, dining areas, copy corners, shops, waiting room, customer area? In places where it is not possible to safeguard social distancing at all times? If so, Clean-Room-Divider is the solution!

This light and elegant solution to divide spaces can be used multifunctionally without any additional interventions. Thanks to the delicate design, you lose a minimum of space, yet the dividers are stable thanks to the small footrests.

The acrylic framework dividers are easy to clean. On top of that, this finishing is suitable for both indoor and outdoor use, and also in cleanroom environments, which means that the Clean-Room-Divider adheres to high hygienic standards.

If desired, the Clean-Room-Dividers can be provided with the personalized branding of your company. They are also available in customised versions upon request.

Technical info

- Dividing screen in framework
- Acrylic panel infilling (high gloss/white)
 - Thickness = 5 mm
- Frame in full-core white compact
 - Thickness = 13 mm
- Other colours and finishes available on request
- Various dimensions in height and width possible upon request

Clean-Room-Divider



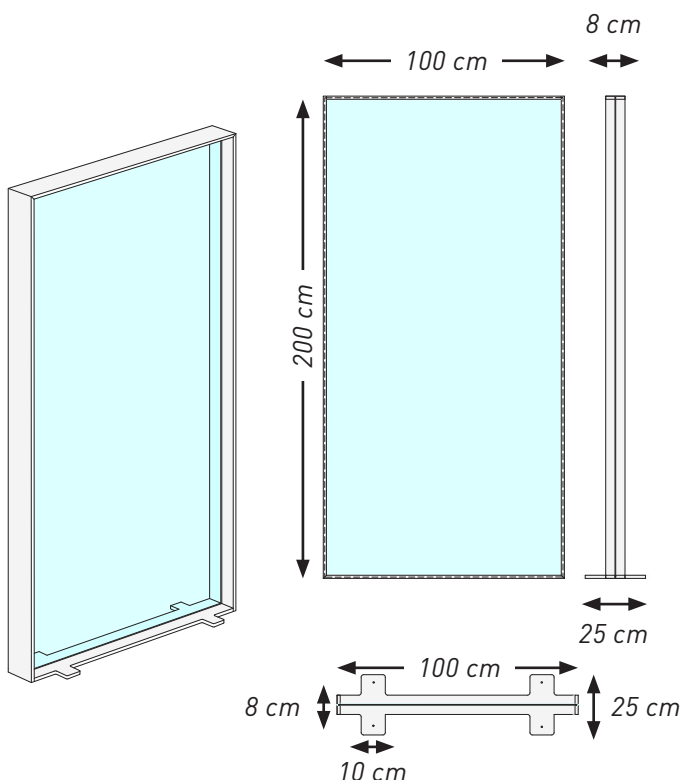
Advantages

- No installation/assembly required
- Movable/reusable
- Light, which means a single person can handle it
- Easy to clean
- Meets the strictest hygiene requirements
- Will not discolour over time
- Company branding possible

Delivery time & recommended price

- Deliverable within five working days
- 100 cm wide and 200 cm high module: 430 euros/piece, including 21% VAT
- Prices for other sizes and modules on request
- Assembly/installation on request

Technical drawings



Contact info

Have questions or want to place an order?

Contact our **CLEAN-SOLUTIONS TEAM!**

You can reach us by:

Email: cleansolutions@jansenbuilding.com

Telephone: +32 11 39 70 50

You can expect a response from us within 24 hours!