

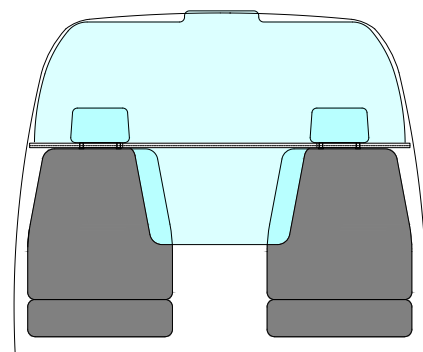
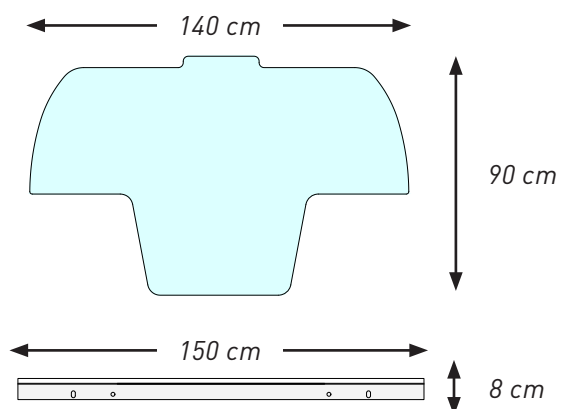
Clean-Car-Divider



Do you have commercial vehicles in which a partition is necessary to guarantee the required social distance? The Clean-Car-Divider is the perfect solution.

The Clean-Car-Divider can be adapted to any vehicle. Thanks to the flexible attachment via the headrests, the seats can still be adjusted individually and no damage remains visible after disassembly. There is no risk of image distortion or blinding reflections thanks to the use of extra clear plexi. If desired, the Clean-Car-Dividers can be provided with the personalised branding of your company.

Technical drawing



Clean-Car-Divider



Technical info

- Plexi screen in mounting bar
 - Thickness = 3 mm
- Mounting bar in full-core white compact or birch multiplex
 - Thickness = 13 mm

Advantages

- Easy to assemble and disassemble without causing permanent damage
- Fits in various types of vehicles
- Seats remain adjustable thanks to assembly with slotted holes
- No image distortion
- No reflection
- Company branding possible

Delivery time & recommended price

- Deliverable within five working days
- Compact model: 91 euros/piece, including 21% VAT
- Multiplex model: 76 euros/piece, including 21% VAT
- Assembly/installation on request

Contact info

Have questions or want to place an order?

Contact our **CLEAN-SOLUTIONS TEAM!**

You can reach us by:

Email: cleansolutions@jansenbuilding.com

Telephone: +32 11 39 70 50

You can expect a response from us within 24 hours!